



AST 7016

TELLER CASH RECYCLER

AST 7016

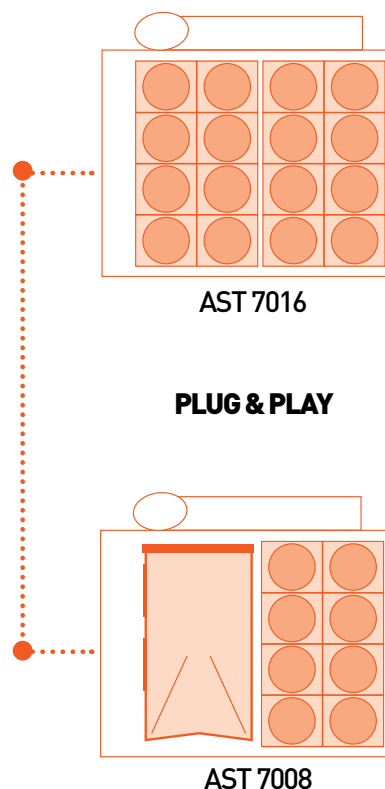


AST 7016, automatic cash in-cash out recycling unit, meets the requirements of those bank branches or retail where the amount of recycled banknotes is particularly high.

Equipped with **16 drums with a capacity of up to 700 banknotes each**, this unit is the most capacious and flexible now available on the market: it can handle and **recycle up to 11.200 banknotes**.

- The multicurrency operation mode makes it perfect for any background
- Thanks to its extremely high capacity it is also ideal for back-office applications to be used by several operators
- **Banknotes' recognition is performed by CIMA's sensor BV 5000 employing all the most advanced technologies: magnetic, infrared, fluorescence, ultraviolet, visible light.**
It's possible to have both the authenticity recognition function and the fitness feature; in both cases all solutions are certified by the European Central Bank.
- The maintenance footprint is extremely compact thanks to the modular system with two separate internal frames
- If the user's requirements had to change over the time and it was necessary to handle a lot of cash in, **AST 7016** can be converted into **AST 7008** thanks to the **plug & play** module, which allows to replace an 8-drum frame with a frame carrying a CIT bag
- **Remarkable reduction of the teller's working time** both in deposit and withdrawal stages (high transaction speed: 6 banknotes/second)
- Thanks to the high security level it makes open branches something really possible
- Real time update of balances and cash in hands

- Possibility to return the last deposit made
- It considerably reduces the cash in hand within the branch
- Software and hardware for the management of alarms and security locks
- **Possibility of remote management through the C-Link platform**



TECHNICAL SPECIFICATIONS

SAFE AVAILABLE IN

12 mm (UL 291), CEN III and CEN IV

WEIGHT

From 450 kg to 740 kg according to the configuration

ELECTRICAL CHARACTERISTICS

Voltage 90 – 240 V AC
Frequency 50 – 60 Hz
Power input 600 W

CONNECTIONS

RS232 serial port or USB 1.0 port or ethernet

NUMBER OF DRUMS HANDLED

Up to 16

DEPOSIT CAPACITY

Up to 700 banknotes each drum

HANDLING OF DRUMS

- Storage by single denomination with recycling function
- Multi-denomination storage with stocking function
- Drums' flexibility

BANKNOTES DETECTOR

Authenticity ECB certified
Possibility of multi-currency operation
Fitness ECB certified

DEPOSIT AND WITHDRAWAL SPEED

Up to 6 banknotes per second

SIZE OF THE BANKNOTES HANDLED (standard configuration)

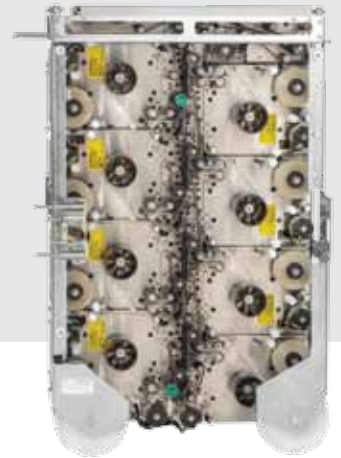
Length
from 100 mm to 190 mm
Width
from 60 mm to 82 mm

SECURITY

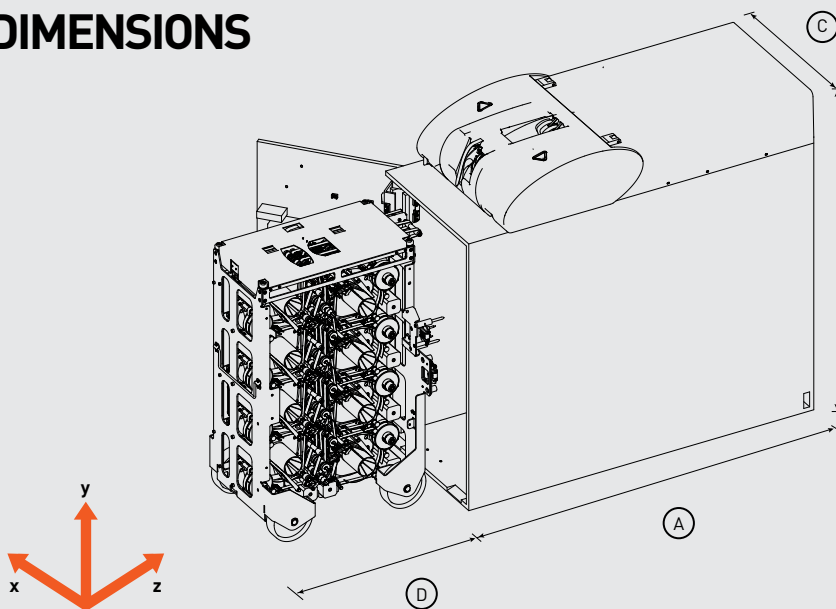
- Handling of 20 time bands
- 3 different alarm outputs
- Timed handling of locks



info@cimspa.it



DIMENSIONS



- (A) 1055mm - UL291
1165mm - CEN III and CEN IV
- (B) 957mm - UL291
1012mm - CEN III and CEN IV
- (C) 440mm - UL291
500mm - CEN III and CEN IV
- (D) 570mm - UL291
620mm - CEN III and CEN IV

Specifications can be subject to change without notice.



CIMA S.p.A. - P.IVA IT03536420361
Via Di Mezzo 2/4 - 41037 Mirandola (Modena) - Italy
Tel. +39 0535 418611 - Fax +39 0535 23062
www.cimaspa.it // info@cimaspa.it